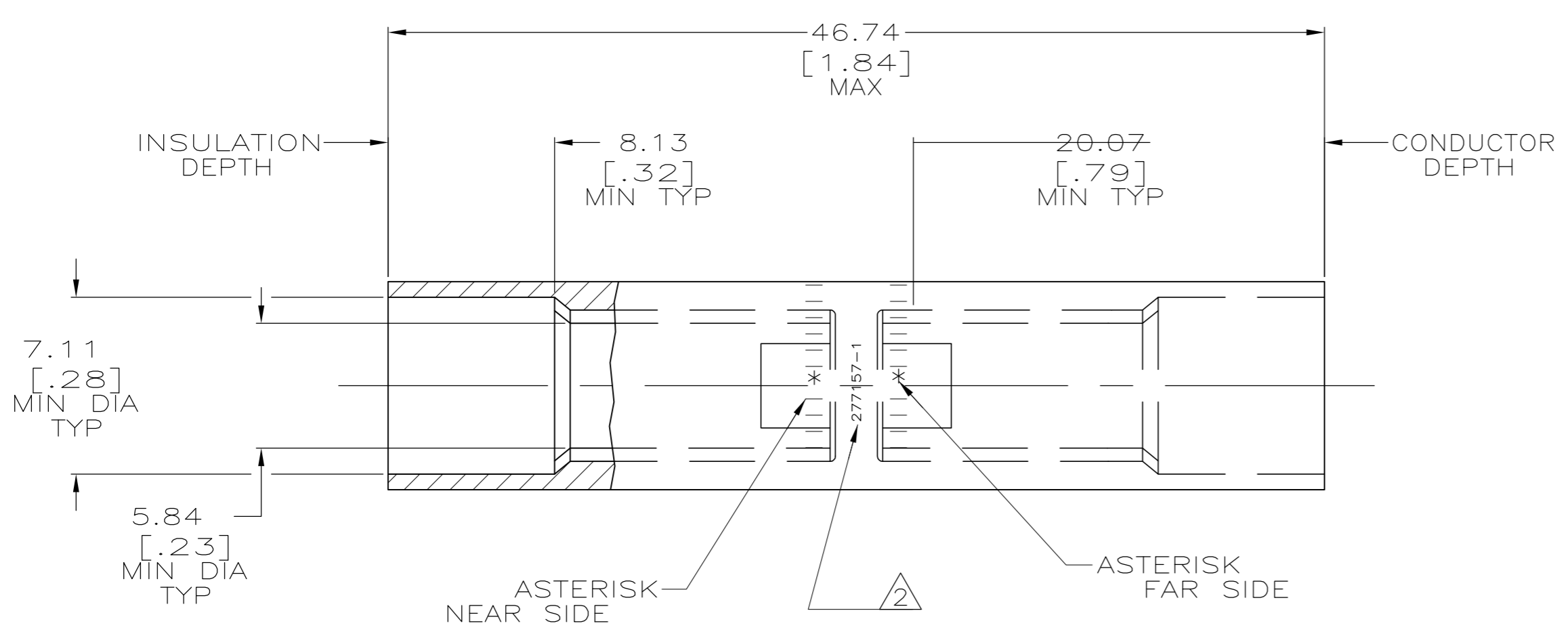
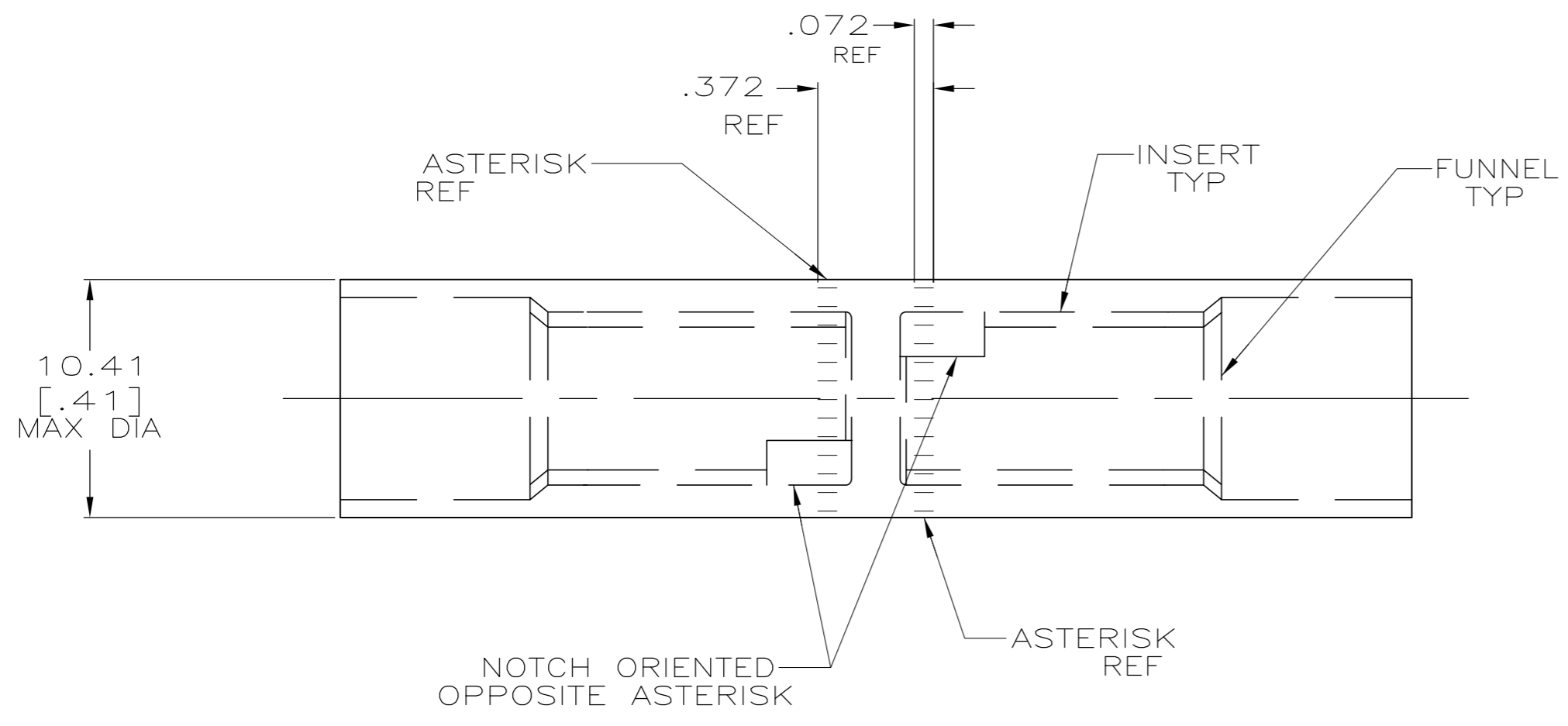


THIS DRAWING IS UNPUBLISHED. RELEASED FOR PUBLICATION  
 © COPYRIGHT BY TYCO ELECTRONICS CORPORATION. ALL RIGHTS RESERVED.

LOC	DIST	REVISIONS			
P	LTR	DESCRIPTION	DATE	DWN	APVD
G	86	M	REV PER ECR 08-004875	26FEB08	JR MS



1 WIRE INSULATION: 5.72[.225] - 6.35[.250] DIA  
 △ STAMP "277157-1 AMP 6AL-8CU"  
 APPROX AS SHOWN



SPLICE: COPPER ASTM B-187 TIN PL ASTM B 545 0.00381[.000150] MIN THK INSERT & FUNNEL: BRASS ASTM B36 NICKEL PL SAE AMS QQ-N-290A, DATED JULY 2000, 0.00254 [.000100] MIN THK	277157-1
MATERIAL & FINISH	PART NO.

THIS DRAWING IS A CONTROLLED DOCUMENT.		DWN DK SCHRUM 7/5/89	Tyco Electronics Corporation Harrisburg, PA 17105-3608	
DIMENSIONS: MM [ INCHES]		CHK MS FEHER 5/1/90	NAME	
TOLERANCES UNLESS OTHERWISE SPECIFIED:		APVD CR RHOADS 2/24/92	PRODUCT SPEC	
0 PLC ± -		108-11011	APPLICATION SPEC	
1 PLC ± -		114-2134	SIZE CAGE CODE DRAWING NO	
2 PLC ± -		16.9 GRAMS	RESTRICTED TO	
3 PLC ± -		CUSTOMER DRAWING	SCALE 4:1 SHEET 1 OF 1 REV M	
4 PLC ± -				
ANGLES ± -				
FINISH SEE TABLE				

277157